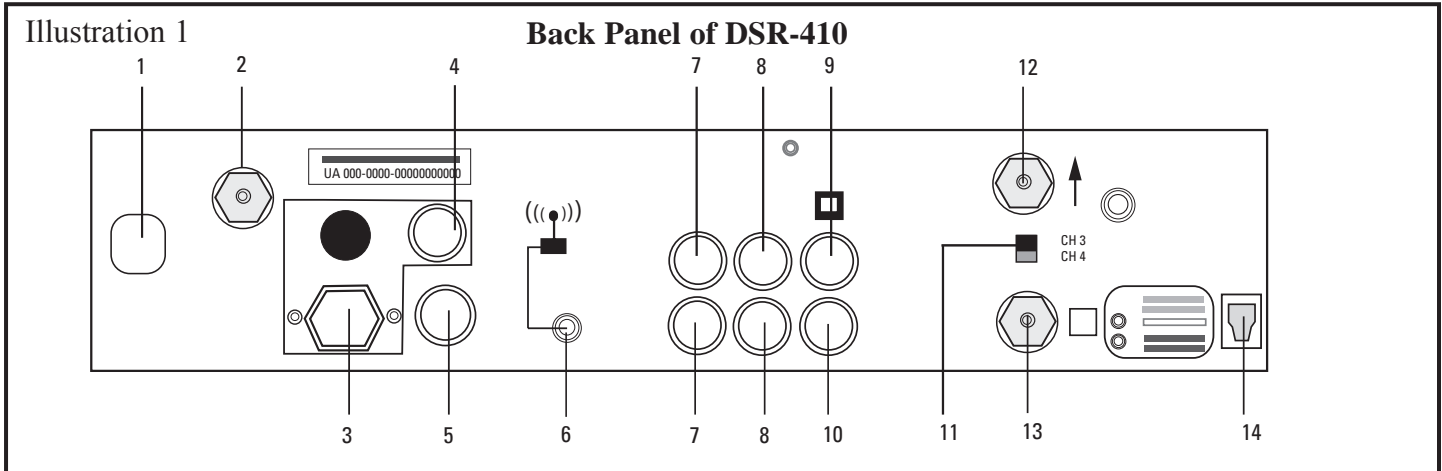


Your DSR-410 Receiver



1. **POWER.** The power cord is attached here.
2. **SATELLITE IN.** In from the satellite dish.
3. **MULTIMEDIA PORT (MMA).** Designed to connect to the HDD-200 High Definition Decoder. You MUST use the HDD-200 decoder; you cannot connect the MMA directly to any monitor or computer. Contact us for more information or to purchase the HDD-200 decoder.
4. **ASYNCHRONOUS DATA.** This connection is used for data applications.
5. **DOLBY DIGITAL.** This connection is used for Dolby Digital AC-3 Version 5.1 (six channel) surround sound.
6. **UHF Ready.** UHF extender sold separately.
7. **AUDIO OUT (R).** Audio outputs which may be used to connect to your TV and VCR; volume levels are adjustable.
8. **AUDIO OUT (L).** Audio outputs which may be used to connect to your TV and VCR; volume levels are adjustable.
9. **TO TV.** Standard video output terminal.
10. **TO VCR.** Standard video output terminal.
11. **CH 3 CH 4.** This switch determines the channel (3 or 4) to set your TV to receive satellite broadcasts. The settings should be the same as the TV setting used with your VCR (usually channel 3).
12. **ANTENNA IN.** Off-air antenna terminal.
13. **OUT TO TV.** Supplies the VHF signal to your TV.
14. **TO PHONE JACK.** Telephone jack connection.

How Do I Connect To My DSR-410?

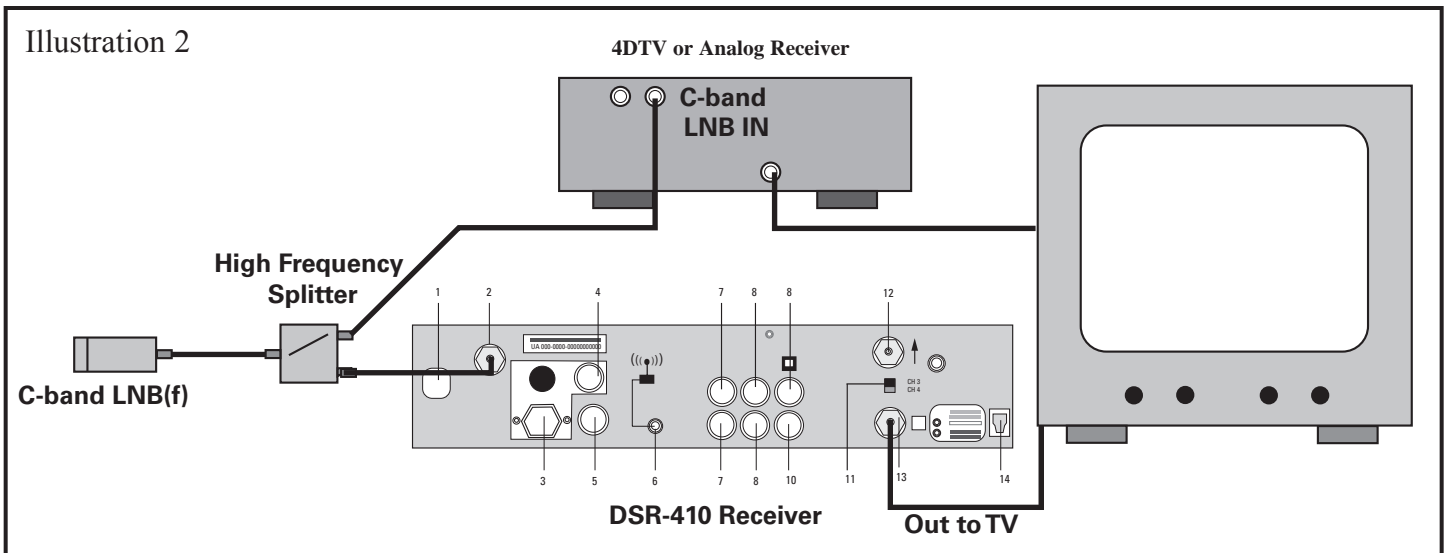
Dolby Digital

If your entertainment center is enabled for Dolby Digital AC-3 version 5.1 (six channel) surround sound, connect one end of the cable to the DOLBY DIGITAL (Illustration 1, number 5) output and the other end of the cable to your sound processor.

C-Band Fixed Systems

Connect the coax cable from your C-band LNB(f) to the SATELLITE IN (Illustration 1, number 2) terminal. Connect either a coaxial cable from OUT TO TV (Illustration 1, number 12) to your television's coaxial input or connect the A/V cables from the AUDIO and VIDEO OUTPUTS (Illustration 1, numbers 7, 8, 9) to your television's A/V INPUT.

How Do I Connect To My DSR-410?



C-Band Moveable Systems

Use a High Frequency splitter to split the incoming C-band LNB signals. Be sure to connect the coax cable from your C-band LNB(F) to the input of the High Frequency splitter. Run a 6' jump coax cable from the output marked with a diagonal line (indicating passive one-way voltage flow) to the C-band SATELLITE INPUT of your analog or 4DTV receiver. Run a second 6' jump coax cable from the other output of the High Frequency splitter to the SATELLITE IN (Illustration 2, number 2) terminal on the DSR-410. Connect either a coaxial cable from OUT TO TV (Illustration 2, number 13) terminal to your television's coaxial INPUT or connect the A/V cables from the AUDIO and VIDEO OUTPUTS (Illustration 2, numbers 7, 8, 9) to your television's A/V INPUT.

How Do I Set Up My DSR-410?

(Tune and Position the Dish on W5 (AMC 18) @ 105° W)

NOTE: Your DSR-410 has already been set up and downloaded for proper operation on Satellite W5 (AMC 18) C-band. If for any reason you complete a master reset on this unit, the following instructions will not apply at that point. You will need to contact Technical Support at 800-500-9279 for proper installation instructions.

C-band Fixed When Using An LNB With Servo Motor

Make sure the feedhorn is on a vertical polarity. Turn the DSR-410 to channel 204, making sure the Satellite Icon is green. If the Satellite Icon is red, you may need to fine tune your dish. Press OPTIONS 6, 3, 1. Adjust the dish to optimize the signal to peak performance, then call 800-500-9268 for activation.

C-band Fixed When Using An LNBF

Turn the DSR-410 to channel 204, making sure the Satellite Icon is green. If the Satellite Icon is red, you may need to fine tune your dish. Press OPTIONS 6, 3, 1. Adjust the dish and LNBF to optimize the signal to peak performance, then call 800-500-9268 for activation.

C-band Moveable When Using An LNB With Servo Motor

Turn your analog or 4DTV receiver to satellite W5 (105° W) and tune to channel 24. Change the television over to the input used for the DSR-410. Turn the DSR-410 to channel 204, making sure the Satellite Icon is green. If the Satellite Icon is red, you may need to fine tune your dish. Press OPTIONS 6, 3, 1. Using your analog or 4DTV receiver, adjust the dish and skew to optimize the signal for peak performance, then call 800-500-9268 for activation.

C-band Moveable When Using An LNBF

Turn your analog or 4DTV receiver to satellite W5 (105° W). Change the television over to the input used for the DSR-410. Turn the DSR-410 to channel 204, making sure the Satellite Icon is green. If the Satellite Icon is red, you may need to fine tune your dish. Press OPTIONS 6, 3, 1. Using your analog or 4DTV receiver, adjust the dish and skew to optimize the signal for peak performance, then call 800-500-9268 for activation.

