

Installing Your Dish Mover

All dish movers must be mounted at a 90° angle to the back side of the satellite dish. If it is NOT mounted this way, unnecessary loads will be put on your dish mover, causing undo stress on your dish mover.

YOUR DISH MOVER COMES COMPLETELY RETRACTED, OR CLOSED. WHEN INSTALLING, YOU MUST POINT YOUR DISH BELOW THE LOWEST SATELLITE TO ENSURE FULL RANGE OF MOTION.

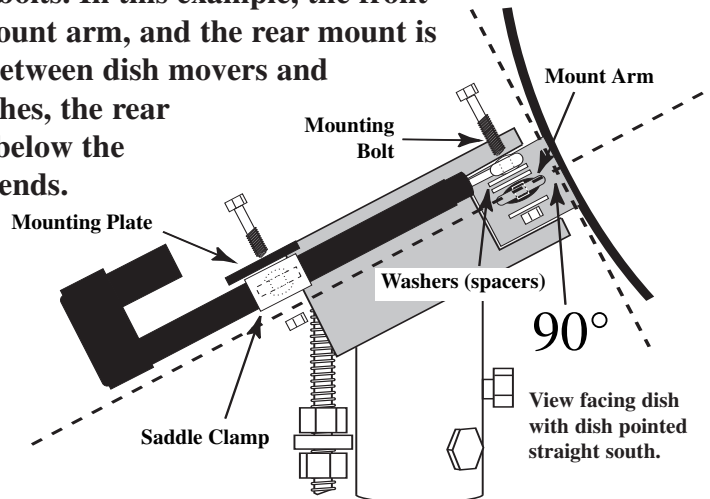
Dish movers are also called actuators or jack arms.

Mounting Instructions

Use washers (spacers) on the rear mounting plate and on the front mount arm to set your dish mover at a 90° angle to the back of the dish. Washers can be put on the top or bottom of the dish mover mounting bolts. In this example, the front mount of the dish mover is on top of the mount arm, and the rear mount is below the mounting plate. This will vary between dish movers and brands of dishes. For example, on some dishes, the rear and front mount of the dish mover will be below the rear plate and front arm, or above at both ends.

FYI

When you replace your dish mover, you must "Master Clear" your receiver and reprogram in all your satellites.



Connecting the Dish Mover

The cable which attaches to the dish mover typically has 5 wires bundled together: two heavy gauge (motor) wires, two light gauge (reed sensor) coated wires and one bare braided wire. The color of the wire does not matter. Connect the two light gauge wires from your ribbon cable to the two reed switch wires on the terminal strip. There is no wrong way to connect these wires. Connect the two heavy gauge wires from the ribbon cable to the motor wires on the terminal strip. To tell if you connected your motor wires correctly, press the east button on your remote control: if your dish moves west, reverse the wires. The bare braided wire does not connect to anything. If you have any questions, call our Skyvision Technical Department for assistance.

